



CW-2000 Cushions

Skin Protection and Positioning Cushion



- Skin protection with positioning
- Anatomically sculpted foam
- Solid gel patient surface
- Four-way stretch, low shear, low friction, moisture resistant cover
- Durable vinyl base
- Available in standard, bariatric and custom sizes
- HCPCS: E2607 & E2608

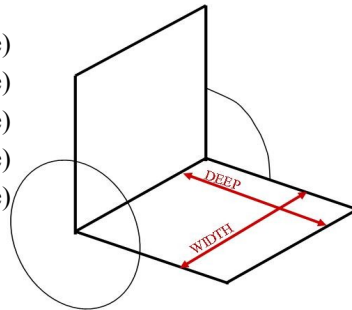


The CW-2000 combines anatomically sculpted high density foam to assist in proper positioning. A solid gel patient surface provides excellent pressure redistribution and comfort for skin protection. The four-way stretch CW-2000 cover is low shear, low friction and moisture resistant.

All CW-2000 cushion are 3.5" in depth, standard dimensions below, available in custom sizes.

HCPCS: E2607

- CW-2000-1616 (16" deep x 16" wide)
- CW-2000-1618 (16" deep x 18" wide)
- CW-2000-1620 (16" deep x 20" wide)
- CW-2000-1818 (18" deep x 18" wide)
- CW-2000-1820 (18" deep x 20" wide)



HCPCS: E2608

- CW-2000-1622 (16" deep x 22" wide)
- CW-2000-1624 (16" deep x 24" wide)
- CW-2000-1822 (18" deep x 22" wide)
- CW-2000-1824 (18" deep x 24" wide)
- CW-2000-2022 (20" deep x 22" wide)
- CW-2000-2024 (20" deep x 24" wide)

Manufactured by Telemade
3215 Huffman Eastgate, Huffman, TX 77336

Telemade®
Specialty Medical Products
Made in the U.S.A.
(281) 324-2900