



# CW-100 Cushions

## Pressure Reduction General Use Wheelchair Cushions



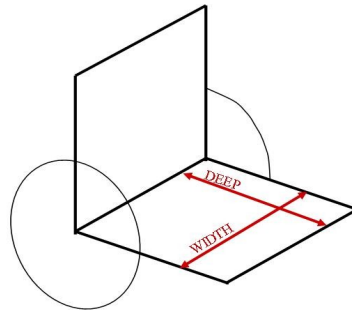
- Economical pressure redistribution wheelchair cushion
- Gel/Foam Combination
- Sectioned gel bladder keeps gel in position for pressure redistribution
- Comfortable low shear, low friction, moisture resistant cover
- Durable vinyl base
- Available in standard, bariatric and custom sizes
- HCPCS: E2601 & E2602

The CW-100 combines gel and sculpted foam to provide excellent pressure redistribution and comfort in a general use wheelchair cushion. The aqueous gel bladder is sectioned to reduce gel migration, keeping the gel where it is needed for comfort and pressure reduction. The CW-100 cover is low shear, low friction and moisture resistant.

*All CW-100 cushion are 3" in depth, standard dimensions below, available in custom sizes.*

### HCPCS: E2601

- CW-100-1616 (16" deep x 16" wide)
- CW-100-1618 (16" deep x 18" wide)
- CW-100-1620 (16" deep x 20" wide)
- CW-100-1818 (18" deep x 18" wide)
- CW-100-1820 (18" deep x 20" wide)



### HCPCS: E2602

- CW-100-1622 (16" deep x 22" wide)
- CW-100-1624 (16" deep x 24" wide)
- CW-100-1822 (18" deep x 22" wide)
- CW-100-1824 (18" deep x 24" wide)
- CW-100-2022 (20" deep x 22" wide)
- CW-100-2024 (20" deep x 24" wide)

Manufactured by Telemade  
3215 Huffman Eastgate, Huffman, TX 77336

**Telemade®**  
Specialty Medical Products  
Made in the U.S.A.  
(281) 324-2900