



## CW-1000 Cushions

### *Pressure Redistributing Skin Protection Cushion*



- Designed for skin protection
- Solid Gel over high quality foam
- Full gel surface
- Comfortable low shear, low friction, moisture resistant cover
- Durable vinyl base
- Available in standard, bariatric and custom sizes
- HCPCS: E2603 & E2604

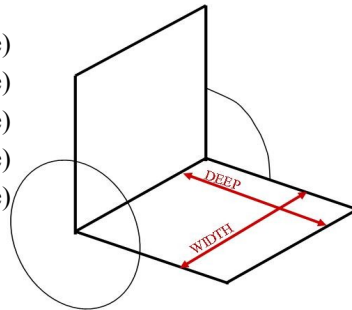


The CW-1000 combines solid gel over high quality foam to provide excellent pressure redistribution and comfort for maximum skin protection. The solid gel surface covers the entire area of the patient contact surface to provide skin protection in any position. The four-way stretch cover is low shear, low friction and moisture resistant.

*All CW-1000 cushion are 3.5" in depth, standard dimensions below, available in custom sizes.*

#### **HCPCS: E2603**

CW-1000-1616 (16" deep x 16" wide)  
CW-1000-1618 (16" deep x 18" wide)  
CW-1000-1620 (16" deep x 20" wide)  
CW-1000-1818 (18" deep x 18" wide)  
CW-1000-1820 (18" deep x 20" wide)



#### **HCPCS: E2604**

CW-1000-1622 (16" deep x 22" wide)  
CW-1000-1624 (16" deep x 24" wide)  
CW-1000-1822 (18" deep x 22" wide)  
CW-1000-1824 (18" deep x 24" wide)  
CW-1000-2022 (20" deep x 22" wide)  
CW-1000-2024 (20" deep x 24" wide)

Manufactured by Telemade  
3215 Huffman Eastgate, Huffman, TX 77336

**Telemade®**  
*Specialty Medical Products*  
*Made in the U.S.A.*  
**(281) 324-2900**